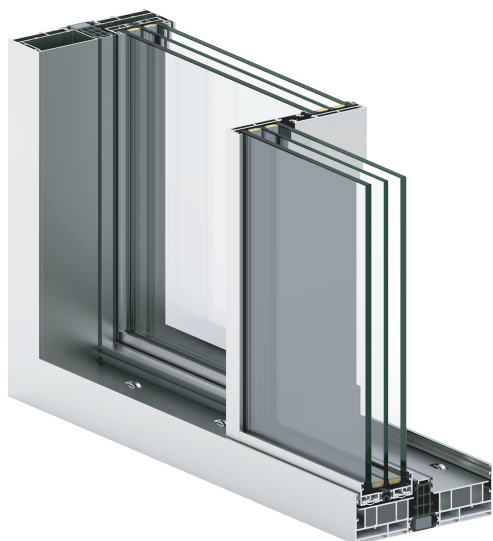


DATASHEET



COR VISION PLUS



ENERGY EFFICIENCY	Uf ≥ 0,9 (W/m²K) Consult typology, dimension and glass	Thermal Transmission Coefficient
--------------------------	---	----------------------------------

ACCOUSTIC INSULATION	56 mm	Maximum glazing
	Rw = 43 dB	Maximum accoustic insulation

CATEGORIES ACHIEVED AT TEST CENTRE	Protection against atmospheric agents	
	Class 4	Air permeability (UNE-EN 12207)
	Class 7A*/9A**	Water tightness (UNE-EN 12208)
	Class C3*/C4**	Wind resistance (UNE-EN 12210)
	* Reference test balcony 4.00 x 3.00 m / 2 sashes	
	** Reference test balcony 4.00 x 3.00 m / 1 sash + 1 fixed	

SECTIONS	180 mm Frame	278 mm Tri-rails	69 mm Sash
-----------------	-----------------	---------------------	---------------

MAXIMUM DIMENSIONS (by sash)	Width (L) = 4000 mm Height (H) = 4000 mm *Glazed surface 14 m
-------------------------------------	---

MAXIMUM WEIGHT SASH	400 Kg Manual 700 Kg Motorized
----------------------------	-----------------------------------

EXTRUSION ALLOY	6063 T-5
------------------------	----------

PROFILE THICKNESS	Door 2,0 mm
--------------------------	-------------

POLYAMIDE STRIP LENGTH	Polyamide 6.6 reinforced with 25% fiberglass from 18 to 40 mm
-------------------------------	---

OPENING POSSIBILITIES	Sliding / Possibility of 1, 2 or 3 rails Possibility of interior and exterior: corner at 90° without mullion Galandage
------------------------------	--

FINISHES	Colour powder coating (RAL, mottled, rough...) According to Qualicoat > 60 micras Wood effect powder coating (Qualideco standard) Anodized (According to Ewwa Euras) Optionally bicoloured
-----------------	--

Air permeability (UNE-EN 12207):
Class
4

Wind resistance: (UNE-EN 12210):
Class
C3/C4

Water tightness (UNE-EN: 12208):
Class
7A/9A